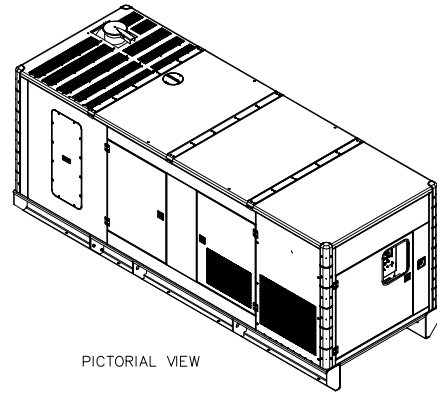


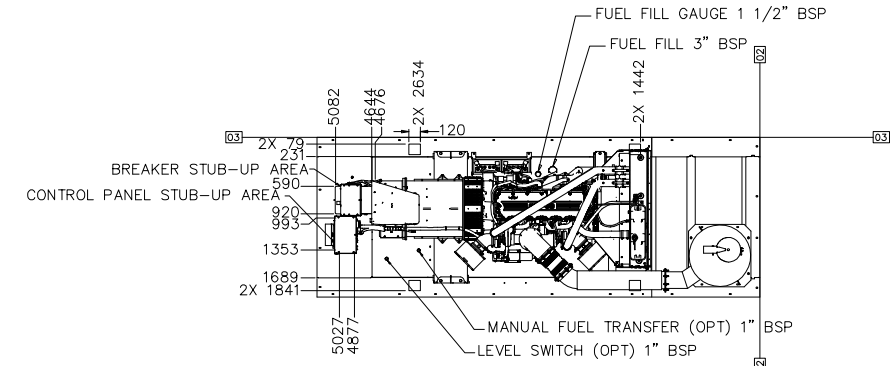
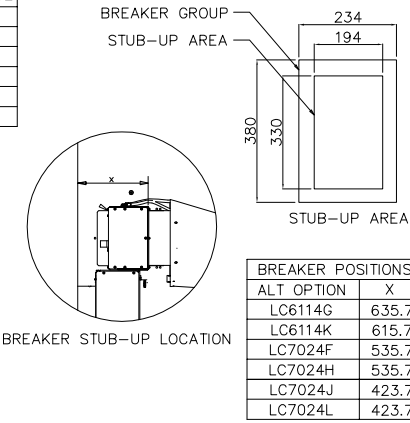
ENG / ALT OPTION	MASS (KG)		CENTER OF GRAVITY FROM O2
	WITH OIL	OIL & WATER	
2806 / LC6114G	5381	5449	2783
2806 / LC6114K	5486	5554	2808
2806 / LC7024F	5496	5564	2832
2806 / LC7024H	5536	5604	2841
2806 / LC7024J	5636	5704	2863
2806 / LC7024L	5756	5824	2895

TANK BASE	TANK CAPACITY (L)	
	FILLABLE	USEABLE
STANDARD	1215	1098

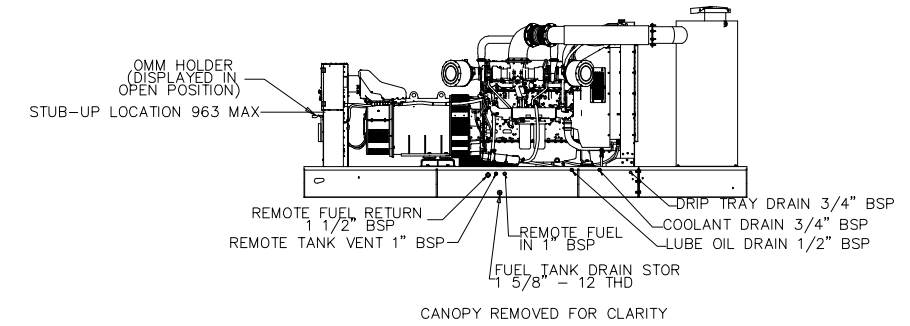
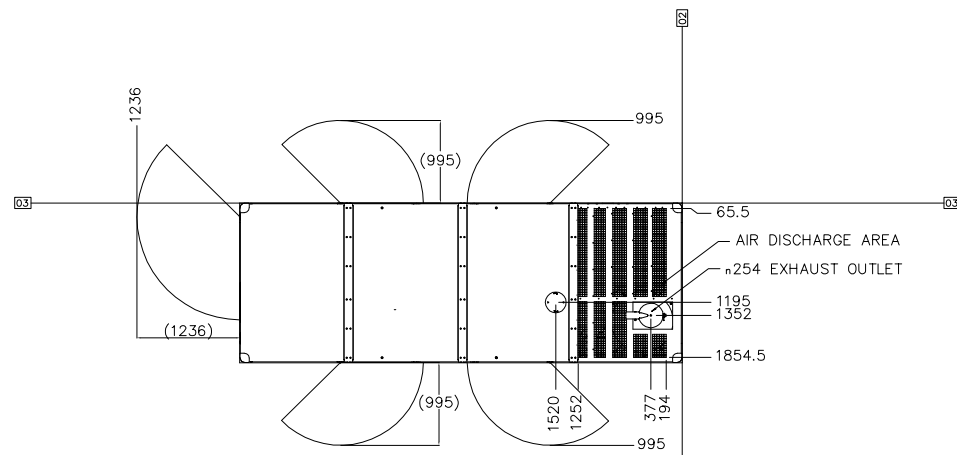
NOTE : DESIGN PRESSURE HEAD 3.7M



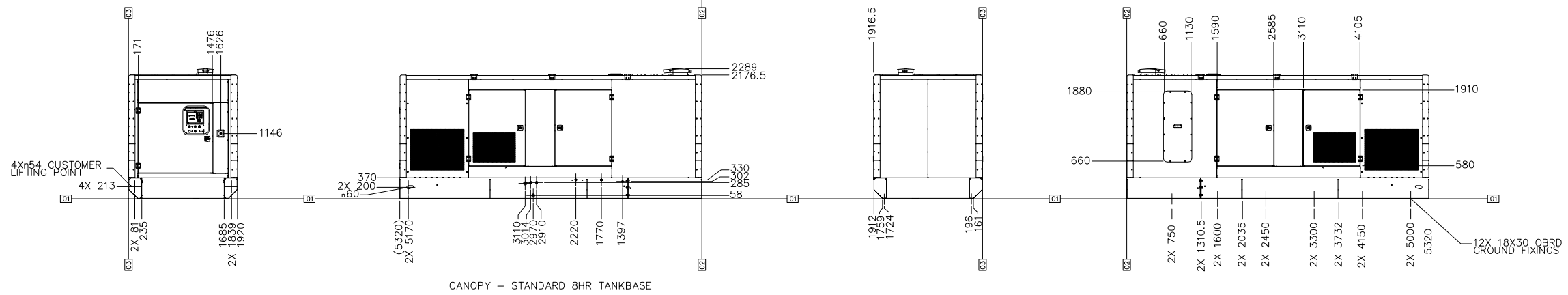
PICTORIAL VIEW



NOTE: VIEWS SHOWS LC7024F ALTERNATOR, 1250A BREAKER (OPT) AND JACKET WATER (OPT)



CANOPY REMOVED FOR CLARITY



CANOPY - STANDARD 8HR TANKBASE

1E2722A	DRAWING
1E0013Y	CONFIDENTIALITY
1E0198R	LETTERS
1E0507B	IDENT
1E0011	INTPR & TOL
PROB	<input checked="" type="checkbox"/> OTHER
UNLESS OTHERWISE SPECIFIED	VERSION PRIMARY <input checked="" type="checkbox"/>
DIMENSIONS W/D TOL ARE BASIC	TYPE SECONDARY
THIRD ANGLE PROJECTION	SHEET 1 OF 1
	DWG CONTROL MF 759
<small>THE INFORMATION HEREON IS THE PROPERTY OF CATERPILLAR INC. AND/OR ITS SUBSIDIARIES. WITHOUT THE PERMISSION, ANY COPYING, REPRODUCTION, EDITING, AND ANY USE EXCEPT THAT FOR WHICH IT IS LOANED, IS PROHIBITED.</small>	
GENERAL AR-COMPL (2806 SA)	
393-0340	VER: 00 CHK: 00