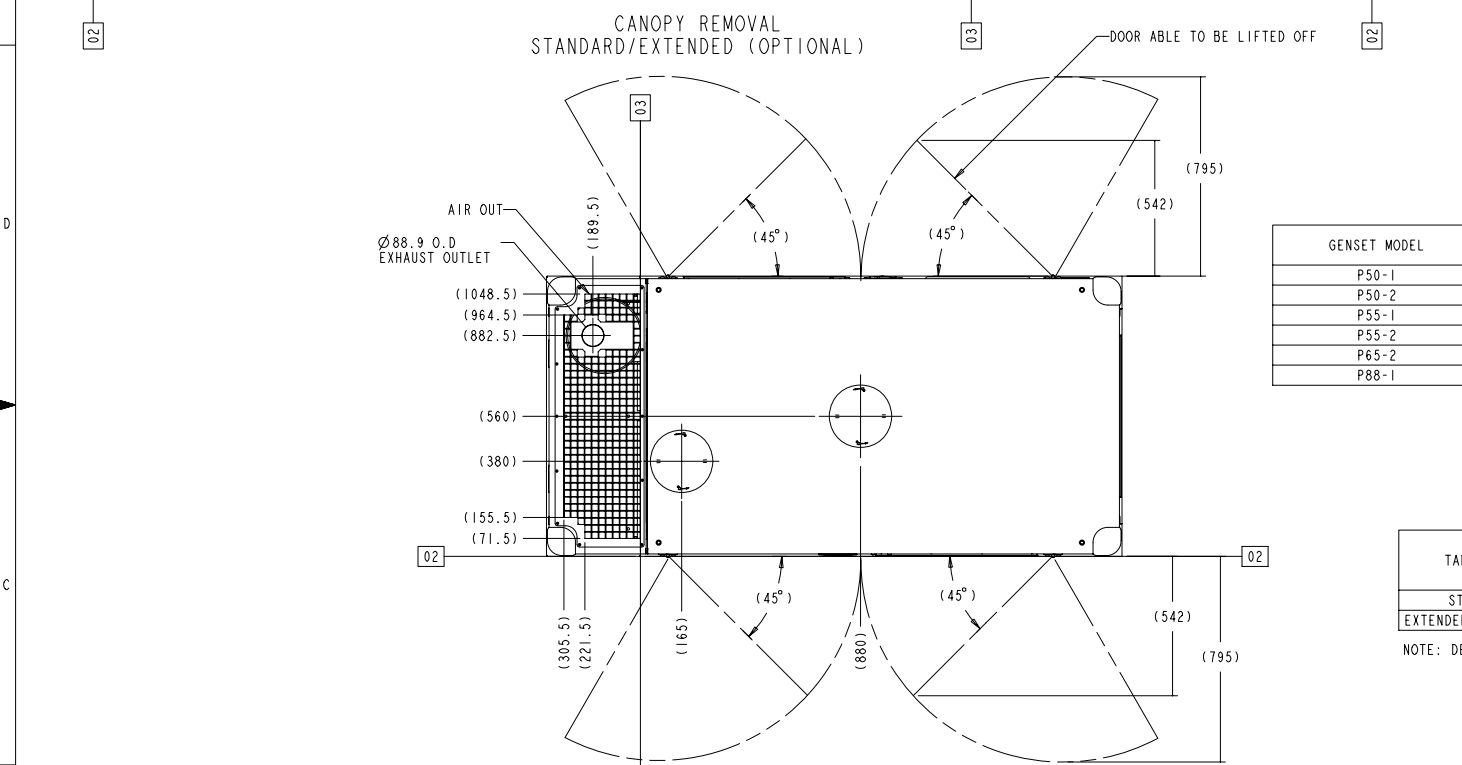
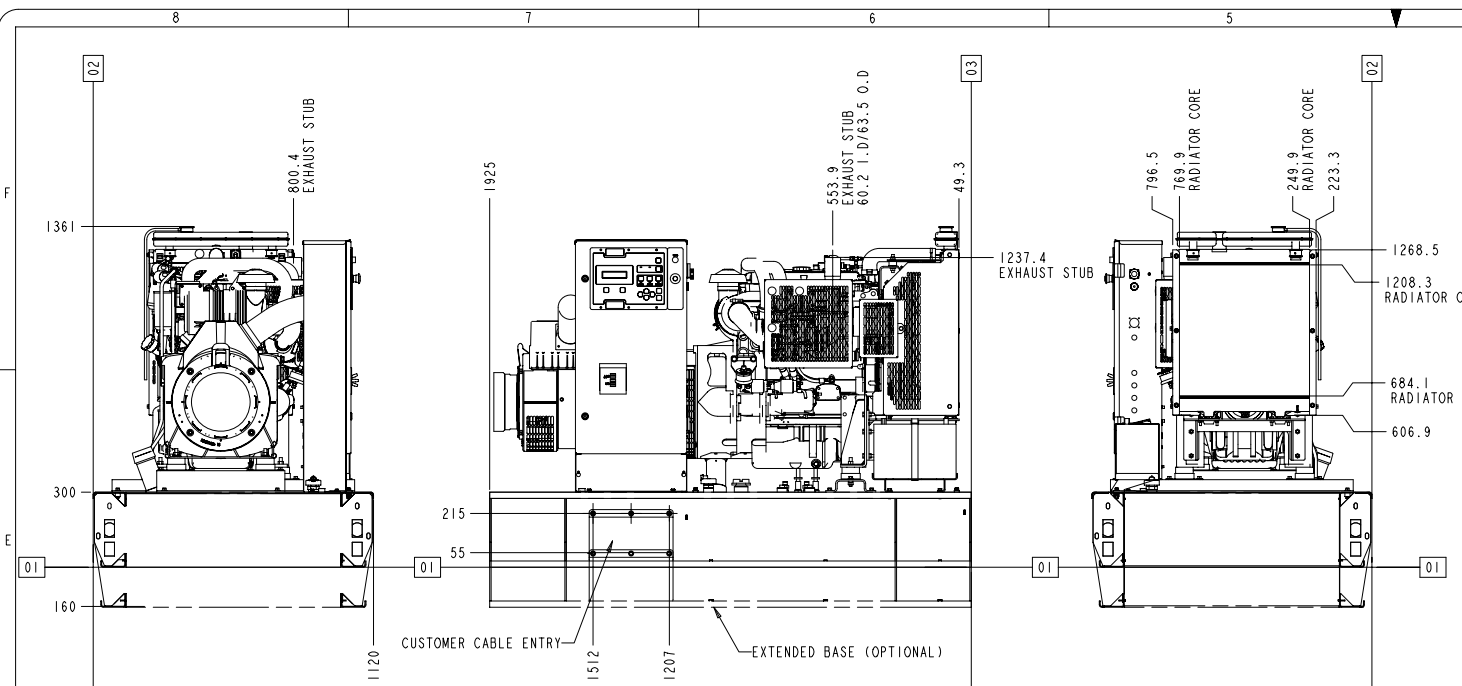


GENSET MODEL	ENGINE MODEL	ALTERNATOR MODEL	WEIGHT						CENTER OF GRAVITY	
			WITH LUBE OIL		WITH OIL & WATER		WITH OIL, WATER & FUEL		FROM 01	
			KGS	LBS	KGS	LBS	KGS	LBS	OPEN	ENCLOSED
P88-1	1104A-44TG2	LL2014L	1106.8	2440	1120	2469	1305	2878	951	890
P65-3	1104A-44TG1	LL2014H	1006.8	2220	1058	2332	1157	2552	960	775
P65-2	1104C-44TG2/3	LL2014H	1006.8	2220	1020	2249	1205	2658	945	880
P65-1	1103A-33TG2	LL2014H	966.8	2131	980	2161	1165	2569	910	825
P55-2	1104C-44TG2/3	LL2014D	956.8	2109	970	2138	1155	2547	991	926
P55-1	1103A-33TG2	LL2014D	916.8	2021	930	2050	1115	2459	988	923
P50-2	1103C-33TG2/3	LL2014C	908.8	2004	922	2033	1107	2442	971	906
P50-1	1103A-33TG1	LL2014C	916.8	2021	930	2050	1115	2459	988	923
P44-1	1104A-44G	LL2014C	826.8	1823	973	2145	1157	2552	840	865
P50-3S	1104A-44TG1	LL2014J	1046.8	2308	1098	2421	1157	2552	840	775
P50-2S	1104C-44TG2/3	LL2014J	1046.8	2308	1060	2337	1245	2746	921	856
P50-1S	1103A-33TG2	LL2014J	1006.8	2220	1020	2249	1205	2658	920	855
P35-3S	1104A-44G	LL2014H	958.8	2114	1023	2255	1157	2552	840	775
P35-2S	1103C-33TG2/3	LL2014H	958.8	2114	972	2143	1157	2552	928	863
P35-1S	1103A-33TG1	LL2014H	966.8	2131	980	2161	1165	2569	944	879

METRIC		336-0859		
SOCKET	DESCRIPTION	01	02	03
A	FUEL LEVEL SWITCH	310	880	1050
B	FUEL FILL	258	248.3	1020
C	FUEL GAUGE	310	240	920
D	FUEL SUPPLY	275	240	744
E	FUEL RETURN	275	240	658
F	REMOTE SUPPLY	275	300	646
G	REMOTE RETURN	275	300	756
H	FUEL DRAIN	50	43	1090
J	COOLANT DRAIN	300	100	150
K	LUBE OIL DRAIN	300	100	616

• ALL 1/2" BSPP

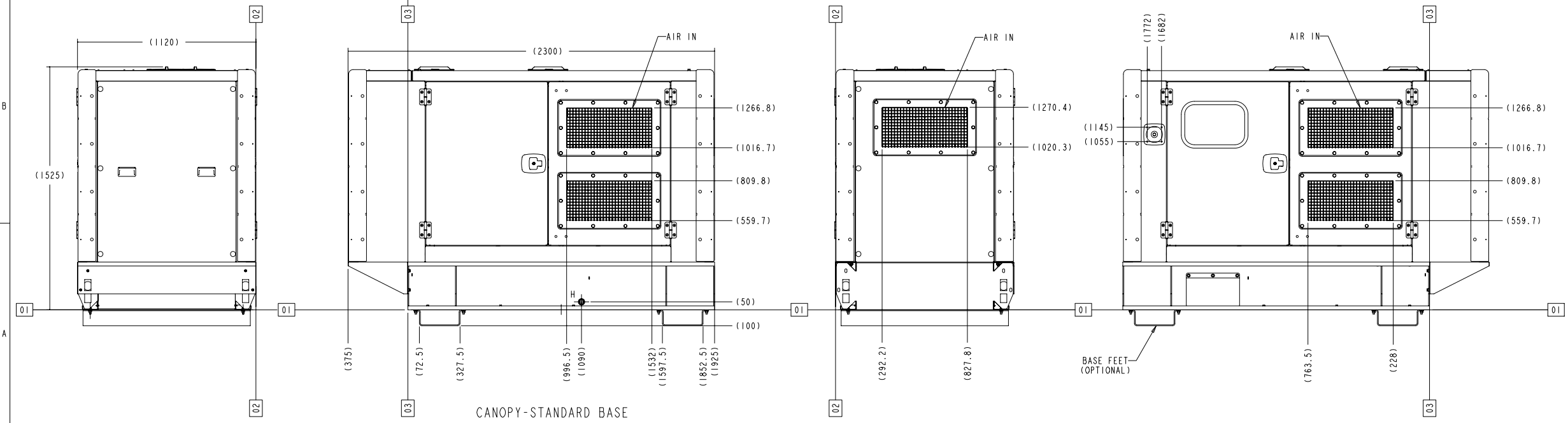
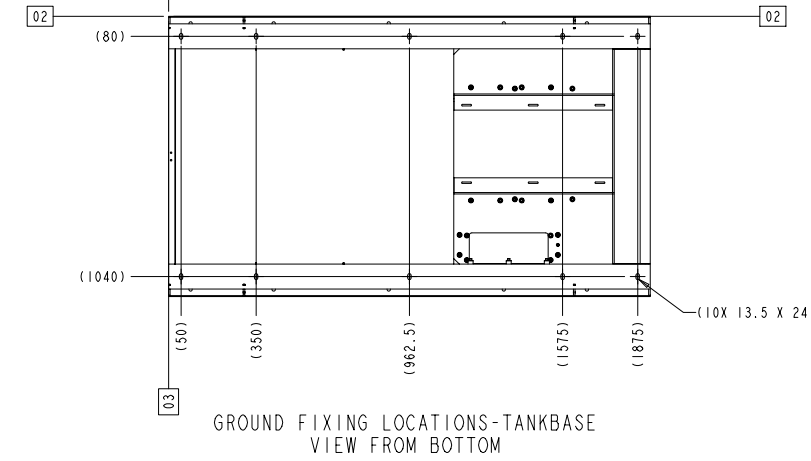
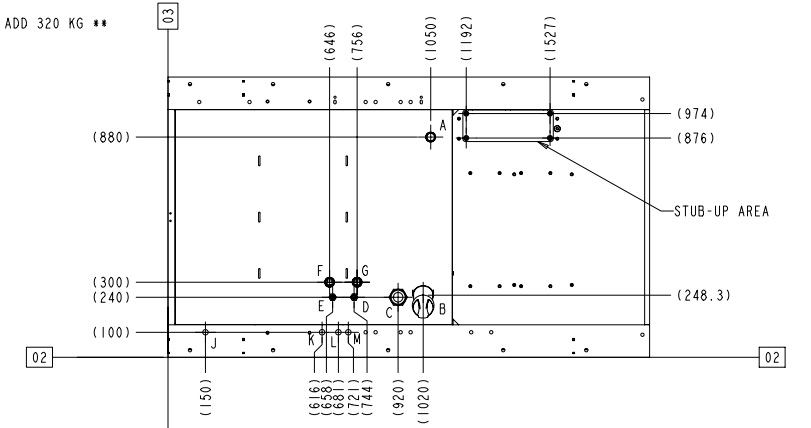
• BRAZIL PRODUCT
 •• FOR ENCLOSED SETS ADD 320 KG ••



GENSET MODEL	EXHAUST STUB		
	01	02	03
P50-1	1237.4	800.4	533.9
P50-2	1237.4	800.4	533.9
P55-1	1237.4	800.4	533.9
P55-2	1237.4	800.4	533.9
P65-2	1247.1	780.9	591.1
P88-1	1247.1	780.9	591.1

TANK BASE	TANK CAPACITY (LITRES)	
	FILLABLE	USABLE
	STANDARD	219
EXTENDED (OPTIONAL)	269	257

NOTE: DESIGN PRESSURE HEAD 1400 mm



1E2722A	DRAWING
1E0013Y	CONFIDENTIALITY
1E0011	INTPR & TOL
PROJ. X OTHER	VERSION PRIMARY X
UNLESS OTHERWISE SPECIFIED DIMENSIONS ARE IN MM DIMENSIONS W/O TOL ARE BASIC	TYPE SECONDARY
THIRD ANGLE PROJECTION	SHEET 1 OF 1
DWG CONTROL MF 759	
<small>THE INFORMATION HEREON IS THE PROPERTY OF PC WILLSON LTD. AND/OR ITS SUBSIDIARIES. BY WHOMSOEVER PROVIDED, AND COPIED, TRANSMITTED, STORED AND ANY USE EXCEPT THAT FOR WHICH IT IS ISSUED, IS PROHIBITED.</small>	
GENERAL ARRANGEMENT	
336-0859	REV. CHG. 00 E